



NOTE: PLEASE TAKE A LOOK AT THE OPERATION INSTRUCTIONS BEFORE FIXING THE LAMP AND THEN KEEP THE INSTRUCTIONS FOR FUTURE REFERENCE.

LED LINEAR LUMINAIRES

Type of LEDs: SMD

Voltage: 180-265V~50/60Hz

Models: 40W

International Protection Rating: IP20

Beam angle: 120°

Color rendering index CRI: Ra > 80

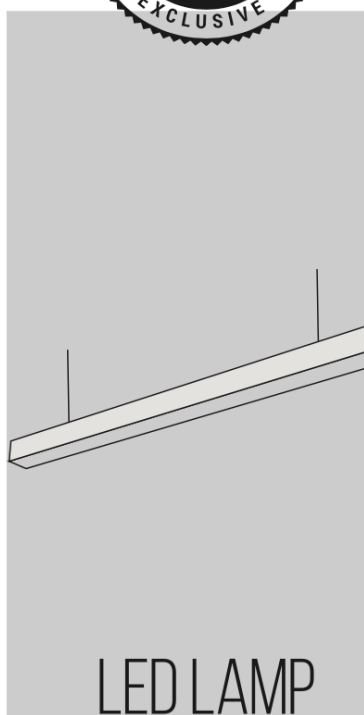
Possibility of dimming: NO

Number of switching cycles: 20000

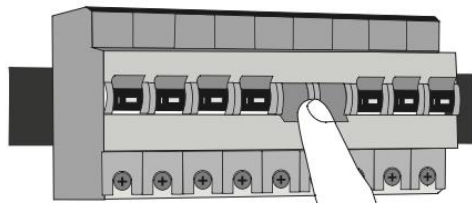
Starting time: <0,2s

Warm-up time (60%): <2s

Warm-up time (90%): <2s

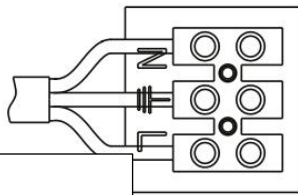
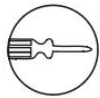


LED LAMP



TURN OFF THE POWER!

1

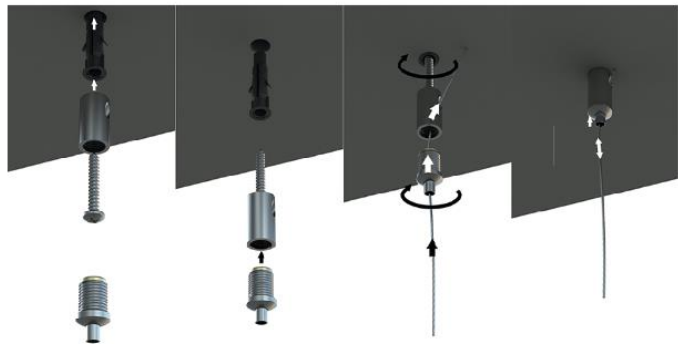


Blue neutral N

Yellow-green protective PE

Brown phase L

2



3



This product complies with EU directive 2002/96/EC. The crossed bin symbol on the appliance indicates that after use, the product must be disposed of separately from domestic waste, either by taking it to a separate waste disposal site for electric and electronic appliances or by returning it to the dealer. If the used appliance is collected correctly as separate waste, it can be recycled, treated, and disposed of ecologically; this avoids a negative impact on both the environment and health and contributes to the recycling of the product materials. For detailed information regarding waste disposal services please contact your local waste disposal agency or the shop where the product was purchased.